



PRICO-NGL®

An innovative process that offers simplicity and robust natural gas liquids recovery.

As the demand for clean, affordable energy intensifies worldwide, Black & Veatch continues to offer innovative solutions. Black & Veatch is a world leader in all aspects of natural gas processing. This includes:

- Gas treating
- Sulfur recovery
- Natural gas liquids (NGL) recovery and fractionation
- Liquefied natural gas (LNG)

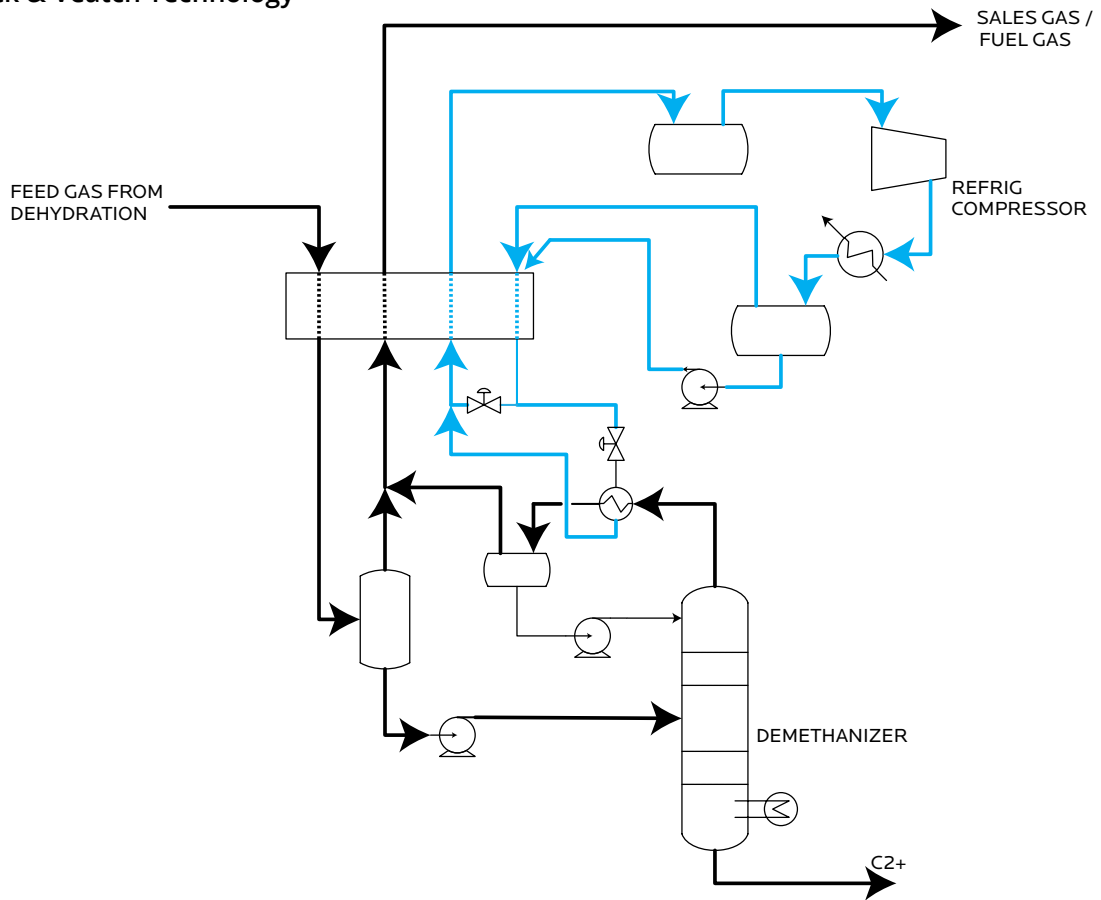
Black & Veatch provides process design, engineering, procurement and construction services for projects worldwide, including cryogenic facilities.

Seasoned leader, proven results

Black & Veatch introduced its renowned PRICO® process in the 1970s to liquefy natural gas. With more than 40 years of operation, the PRICO process is used by more than 20 plants worldwide today.

The PRICO® process incorporates a single-mixed refrigerant loop. This technology offers such advantages as:

- The lowest capital costs of all competing technologies
- A well-proven refrigeration system requiring minimal equipment
- Simplified control and maintenance



Improved process, more benefits

The PRICO-NGL® process is a reliable, safe and flexible method for NGL recovery, especially for refinery or upgrader off-gases with high hydrogen contents. Using a simple closed-loop refrigeration cycle containing common hydrocarbons, fluctuations in feed flow and composition can be managed much easier than a process that relies on turbo-expander performance.

Because PRICO-NGL® can achieve chiller temperatures much colder than propane or propylene refrigeration, it's ideal for NGL recovery from low pressure gas by minimizing or eliminating feed compression. It's also feasible in some cases to eliminate the expansion pressure drop and associated re-compression. As a result, PRICO-NGL® can greatly reduce capital costs and operating and maintenance expenses for your facility.



[Learn more at bv.com.](https://www.bv.com)